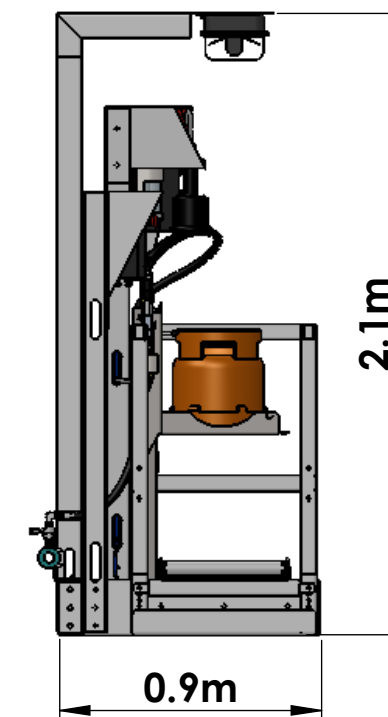
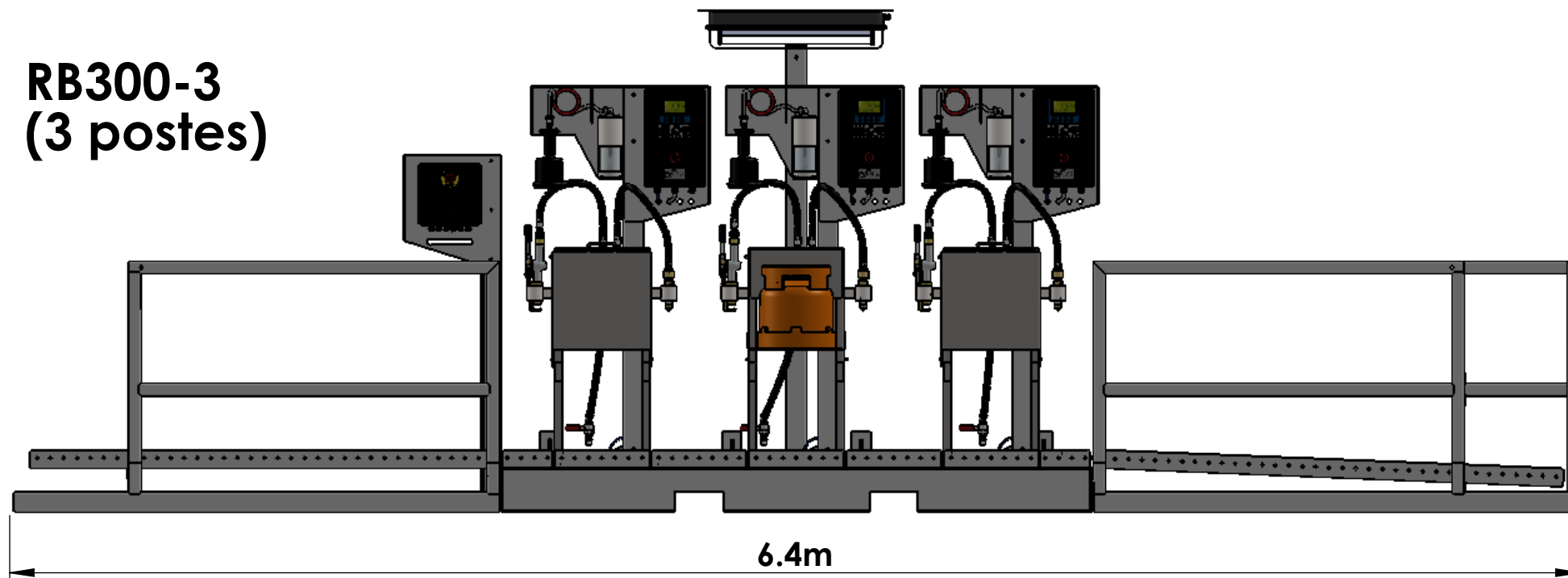
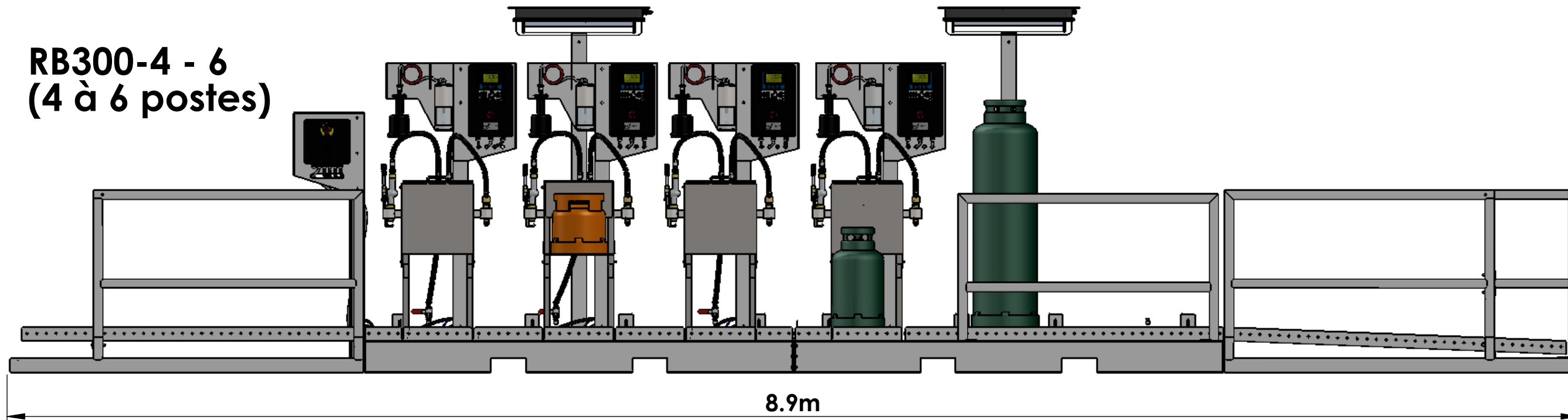




**RB300-3
(3 postes)**



**RB300-4 - 6
(4 à 6 postes)**



REVISIONS			
REV.	DESCRIPTION	DATE	APPROUVE
	Poids / Weight ± : grammes	Traitement / Finishing:	Revision
Dess:	Date :	Echelle / Scale: 1:25	
 A3 Tol. générale / General tol.: +/- 0.1			
<small>THE INFORMATION CONTAINED IN THIS DRAWING IS THE SOLE PROPERTY OF EQUIP-FLUIDES. ANY REPRODUCTION IN PART OR AS A WHOLE WITHOUT THE WRITTEN PERMISSION OF EQUIP-FLUIDES IS PROHIBITED.</small>			
 EQUIP FLUIDES 2 Rue Lavoisier, 77465 Lagny s/ Marne (FRANCE) ☎ : (+33) 01.64.12.46.03 📠 : (+33) 01.64.12.46.17		REF PLAN:	REF PIECE:

Unités: mm