

SOUPAPES DE SURETE

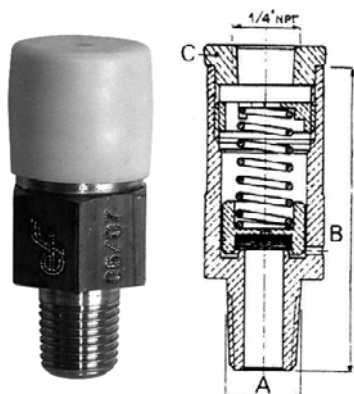
RELIEF VALVES

Série S109, S112, S113,
3127, PRV9432, SS9432,
SS8021J :

Soupapes hydrostatiques conçues
pour la protection des canalisations.

S109, S112, S113, 3127,
PRV9432, SS9432, SS8021J
Series :

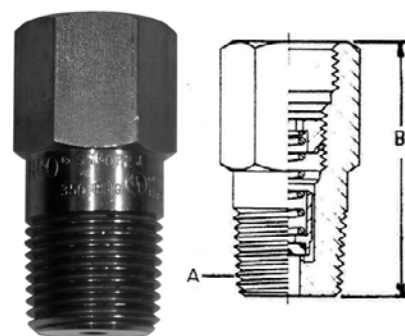
Hydrostatic relief valves designed
especially for the protection of
piping.



S109 - S112 - S113



3127



SS8021J

REFERENCE NUMBER	CONSTRUCTION	JOINTS GASKETS	TARAGE SET PRESSURE	A NPT	B MM	ADAPTEUR PIPE AWAY C	CE PED 97/23/CE
S109	LAITON / BRASS	BUNA	300 PSI 20,69 BAR	1/4"	53	S2010	NON / NO
S112			375 PSI 25,85 BAR				
S113			435 PSI 29,98 BAR				
3127H	LAITON / BRASS	BUNA	275 PSI 18,96 BAR	1/4"	55		OUI / YES
3127J			350 PSI 24,13 BAR				
3127K			375 PSI 25,85 BAR				
3127P			300 PSI 20,69 BAR				
3127U			450 PSI 31,03 BAR				
PRV9432	LAITON / BRASS	BUNA	17 - 600PSI * 1.17 - 41,36 BAR *	1/4"	66	B-9412-2	OUI / YES
SS9432	INOX / ST. STEEL	BUNA	17 - 600PSI 1.17 - 41,36 BAR			SS-9412-4	
SS8021J	INOX / ST. STEEL	BUNA	350 PSI 24,13 BAR	1/4"	48	INCLUS / INCLUDED	OUI / YES
SS8021L			400 PSI 27,85 BAR				
SS8021U			450 PSI 31,03 BAR				

Joint téflon sur demande / Teflon seat disc on request

Autres tarages sur demande / Other set pressure on request

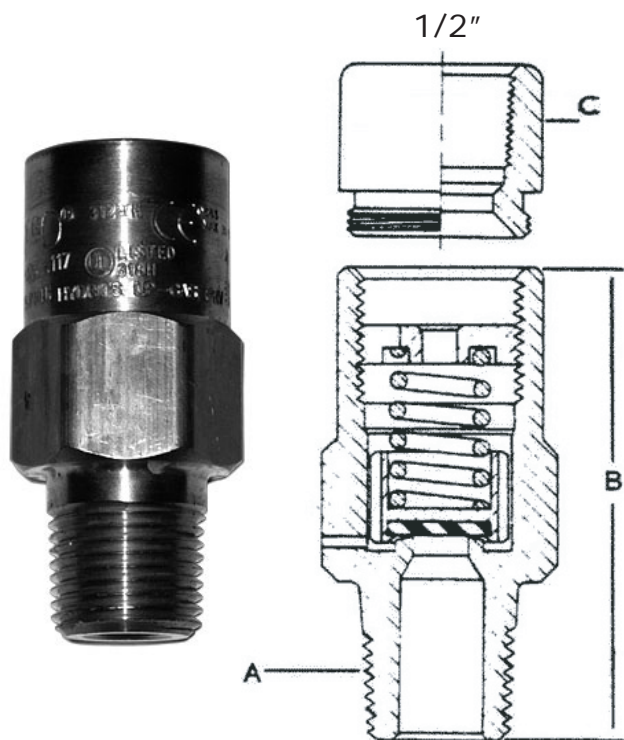
* : PRV9432 avec joints PTFE / PRV9432 with PTFEseals --> 10 - 41BAR / 140- 600 PSI

SOUPAPES DE SURETE

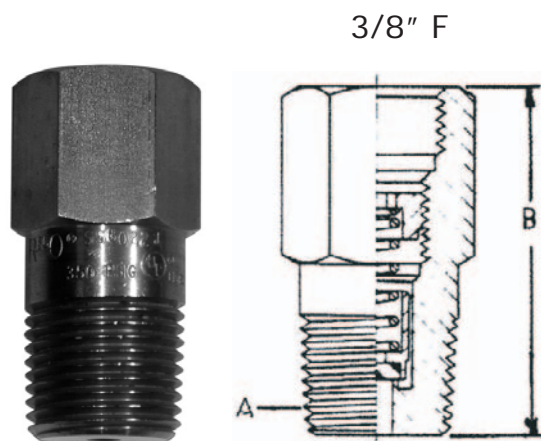
RELIEF VALVES

Série 3129, SS8022J :

3129, SS8022J series :



3129



SS8022J

REFERENCE NUMBER	CONSTRUCTION	JOINTS GASKETS	TARAGE SET PRESSURE	A NPT	B MM	ADAPTEUR PIPE AWAY C	CE PED 97/23/CE
3129G	LAITON / BRASS	BUNA	250 PSI 17,24 BAR	1/2"	68	3129-10	OUI / YES
3129H			275 PSI 18,96 BAR				
3129J			350 PSI 24,13 BAR				
3129K			375 PSI 25,85 BAR				
3129P			300 PSI 20,69 BAR				
3129U			450 PSI 31,03 BAR				
SS8022G	INOX / ST. STEEL	BUNA	250 PSI 17,24 BAR	1/2"	50	INCLUS / INCLUDED	
SS8022J			350 PSI 24,13 BAR				
SS8022L			400 PSI 27,85 BAR				
SS8022P			300 PSI 20,69 BAR				
SS8022U			450 PSI 31,03 BAR				