

## SOUPAPES DE SURETE

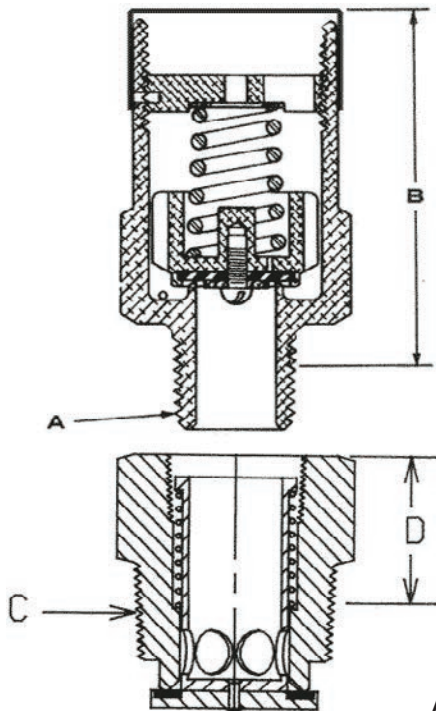
## RELIEF VALVES

Série AA3130, AA3135,  
A3149 :

Soupape à filetage cône NPT.

AA3130, AA3135, A3149  
series :

Relief valves with NPT coupling  
thread.



AA3130 / AA3135



REFERENCE NUMBER	CONSTRUCTION	TARAGE SET PRESSURE	DEBIT* M3/H AIR FLOW CAPACITY	A NPT	B mm	C NPT	D mm
AA3130265	ALU / ALUMINIUM	18,27 BAR 265 PSI	3 600	3/4"	85	-	-
AA3135265			11 200	1"1/4	150	-	-
AA3135275		18,96 BAR 275 PSI		1"1/4	150	-	-
A3149GC	ACIER / STEEL	18,96 BAR 275 PSI	15 500	2"1/2	245	-	-

\* à 120 % de la pression de tarage

\* at 120 % of the set pressure

REFERENCE NUMBER	CONSTRUCTION	DESIGNATION	A NPT	B mm	C NPT	D mm
CSA01	INOX / TEFLON	CLAPET PORTE SOUPAPE A LIAISON CONIQUE / LOWER CHECK VALVE	3/4"	-	1"1/4	30
CSA23	ACIER ZINGUE / STEEL		1"1/4	-	2"	45
ST19	LAITON / BRASS		3/4"	-	1"1/4	
ST24	LAITON / BRASS		1"	-	1"1/4	
ST29	LAITON / BRASS		1"1/4	-	2"	