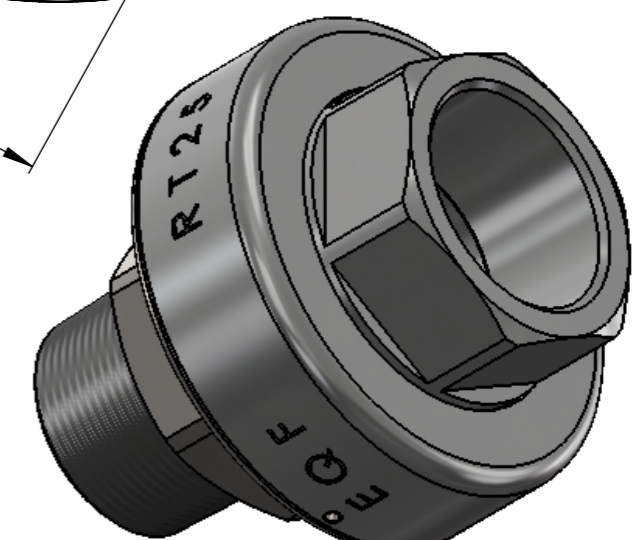


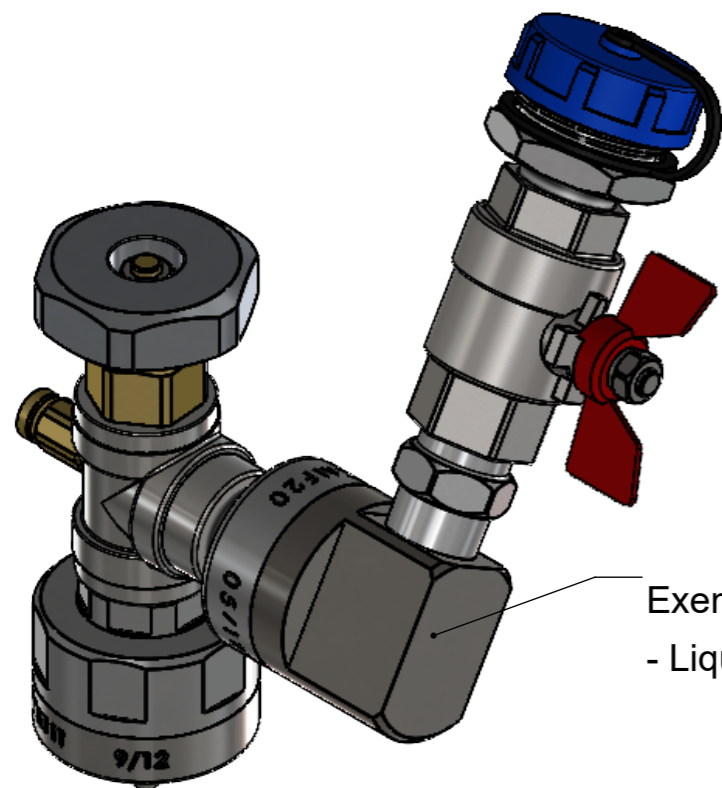
Mounted on delivery hose
DN32 or DN25



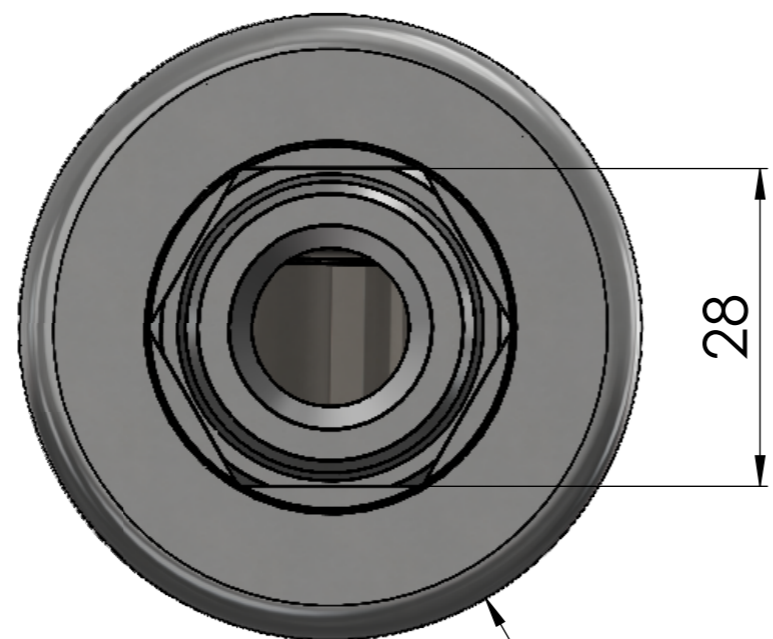
REVISIONS			
REV.	DESCRIPTION	DATE	APPROUVE
A	1ère édition	03/10/2011	JDP
B	Modif ϕ 32H7 -> ϕ 34H7 sur RD225-1	15/12/2011	JDP
C	Modif 6 pans	14/04/2014	JDP
D	Scellement par goupille	04/02/2015	JDP

Poids / Weight \pm : 758.35 grammes		Traitement / Finishing:		Revision
Dess: JDP	Date :03/10/2011	Echelle / Scale: 2:1		Swivel coupling MxF 1"NPT
A3 Tol. générale / General tol.: +/- 0.1				
<small>THE INFORMATION CONTAINED IN THIS DRAWING IS THE SOLE PROPERTY OF EQUIP-FLUIDES. ANY REPRODUCTION IN PART OR AS A WHOLE WITHOUT THE WRITTEN PERMISSION OF EQUIP-FLUIDES IS PROHIBITED.</small>				D
EQUIP FLUIDES 2 Rue Lavoisier, 77465 Lagny s/ Marne (FRANCE) (+33) 01.64.12.46.03 (+33) 01.64.12.46.17		REF PLAN: RT25	REF PIECE: RT25	

Unités: mm

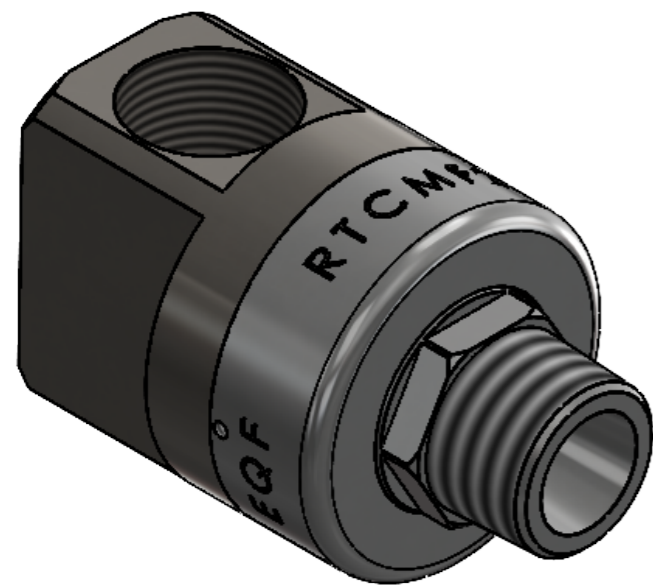


Exemple of application
 - Liquid recovery valve with adjustable arm (EQFK11TX)

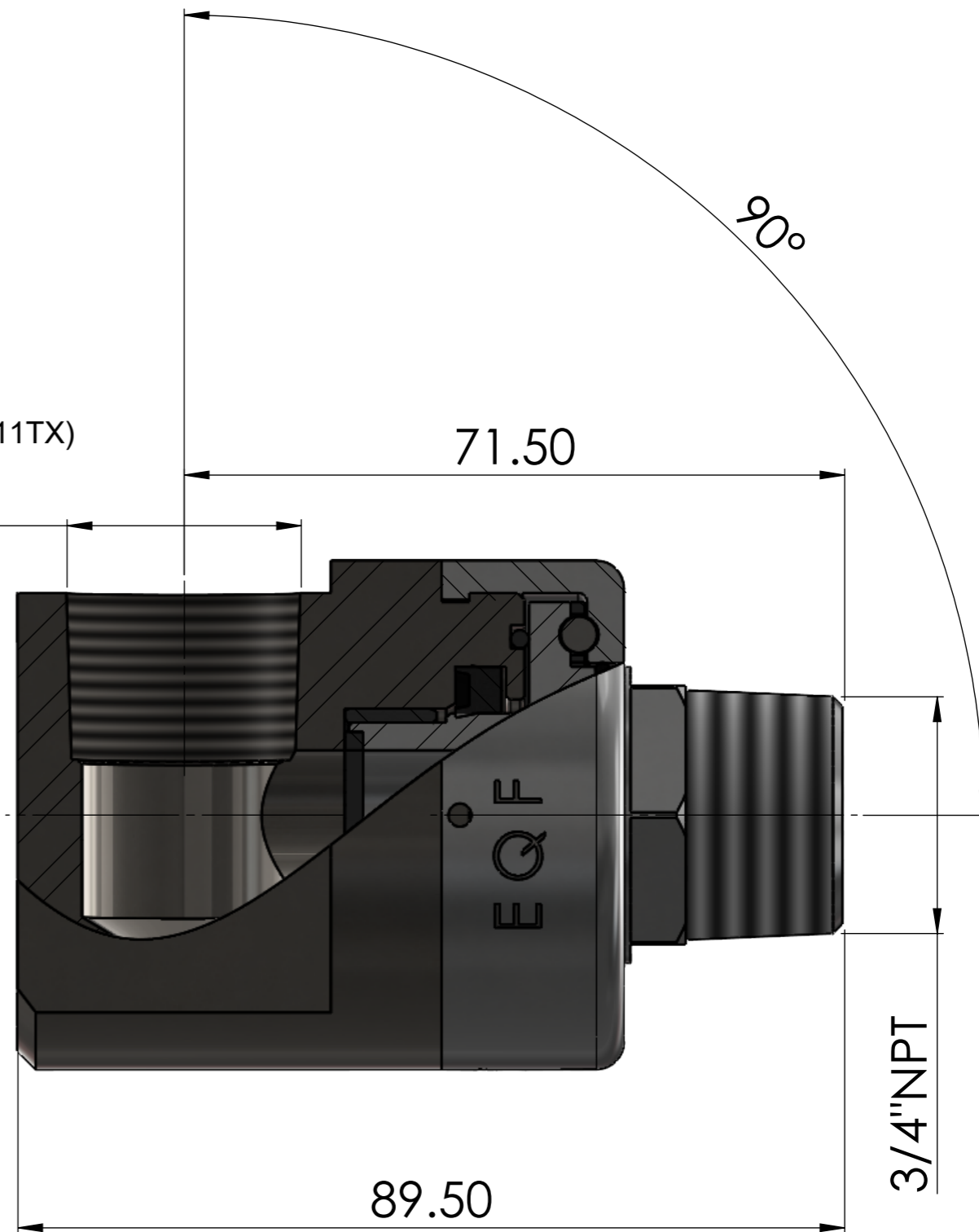


28

Ø 55



3/4"NPT




90°

71.50

89.50

3/4"NPT

Unités: mm

REVISIONS			
REV.	DESCRIPTION	DATE	APPROUVE
A		16/11/2022	
Poids / Weight ±: 906.78 grammes		Revision	
Dess: JDP Date :14/10/2013 Echelle / Scale: 3:2		Swivel coupling 90° MxF 3/4"NPT	
A3 Tol. générale / General tol.: +/- 0.1		REF PLAN: RTCMF20	
<small>THE INFORMATION CONTAINED IN THIS DRAWING IS THE SOLE PROPERTY OF EQUIP-FLUIDES. ANY REPRODUCTION IN PART OR AS A WHOLE WITHOUT THE WRITTEN PERMISSION OF EQUIP-FLUIDES IS PROHIBITED.</small>		REF PIECE: RTCMF20	
 EQUIP' FLUIDES 2 Rue Lavoisier, 77465 Lagny s/ Marne (FRANCE) EQUIP'FLUIDES ☎: (+33) 01.64.12.46.03 📠: (+33) 01.64.12.46.17		