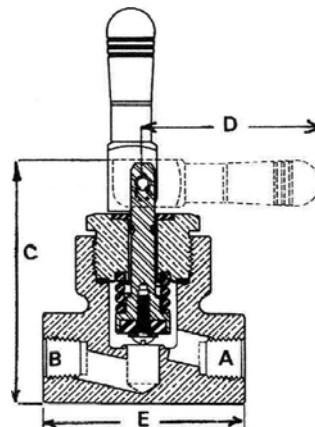


**Série 7553T :**

Construction laiton

**7553T Series :**

Brass construction



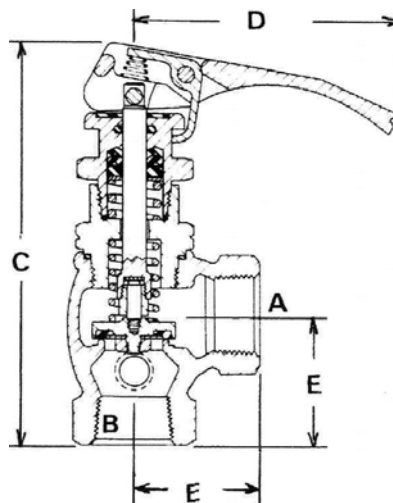
REFERENCE NUMBER	A F NPT	B F NPT	C mm	D mm	E mm
7553T	1/4"	1/4"	65	55	64

**Série A7708L :**

Construction fonte modulaire

**A7708L Series :**

Ductile iron construction



REFERENCE NUMBER	A F NPT	B F NPT	C mm	D mm	E mm
A7708L	1"	1"	165	120	52
TSS3169	PURGEUR / VENT VALVE				