

CLAPETS ANTI RETOUR

BACK PRESSURE CHECK VALVES

Série A3400L, AR200 :

Pour montages internes dans bossages taraudés de réservoirs.

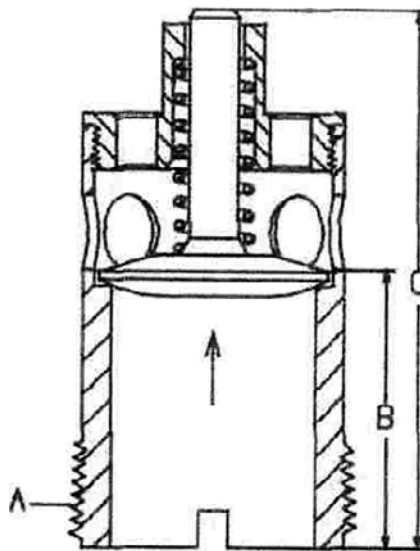
Construction : Acier zingué

A3400L, AR200 Series :

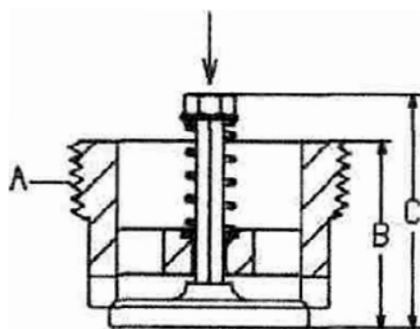
For installation in internally threaded flanges in container.

Construction : Plated steel

A3400L6



AR200



REFERENCE NUMBER	A	B	C	DEBIT PROPANE LIQUIDE (m ³ /h) A DIFFERENTS Δ p			
	RACCORDEMENT	HAUTEUR	Ht TOTALE	PROPANE LIQUID (m ³ /h) FLOW AT VARIOUS Δ p			
	CONNEXION M.NPT	LENGTH	OVERALL LENGTH	0.3 bar	0.7 bar	1.7 bar	3.5 bar
		mm	mm				
AR200	2"	40	52				
A3400L4	2"	64	137				
A3400L6	3"	60	125	96,0	136,0	215,0	305,0