

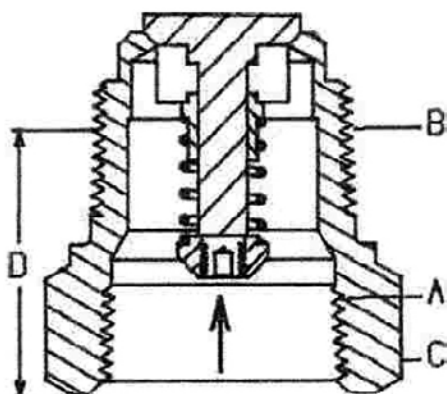
CLAPETS ANTI RETOUR

Permettent le passage du fluide dans une seule direction.

Le clapet est normalement maintenu par un ressort en position fermée.

Série A3146, A3176, A3186, A3196 :

Construction : Acier zingué



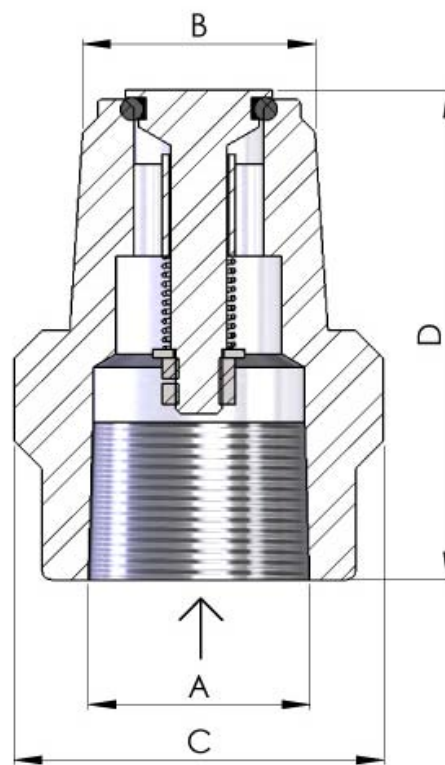
BACK PRESSURE CHECK VALVES

Back pressure check valves are designed to allow flow in one direction only.

The check is normally held in the closed position by a spring.

A3146, A3176, A3186, A3196 Series :

Construction : Plated steel



A3146

REFERENCE NUMBER	A ENTREE INLET F.NPT	B SORTIE OUTLET M.NPT	C S/PLATS WRENCH HEX FLATS mm	D LONGUEUR LENGTH mm	DEBIT PROPANE LIQUIDE (m ³ /h) A DIFFERENTS Δ p PROPANE LIQUID (m ³ /h) FLOW AT VARIOUS Δ p			
					0.3 bar	0.7 bar	1.7 bar	3.5 bar
A3146	3/4"	3/4"	35	53	2,5	3,6	5,6	8,2
A3176	1"1/4	1"1/4	50	42	66,3	9,6	14,3	20,0
A3186	2"	2"	75	62	28,0	39,0	63,0	88,0
A3196	3"	3"	100	88	67,0	95,0	150,0	210,0