

## CLAPETS ANTI RETOUR

## BACK PRESSURE CHECK VALVES

**Série ARD :**

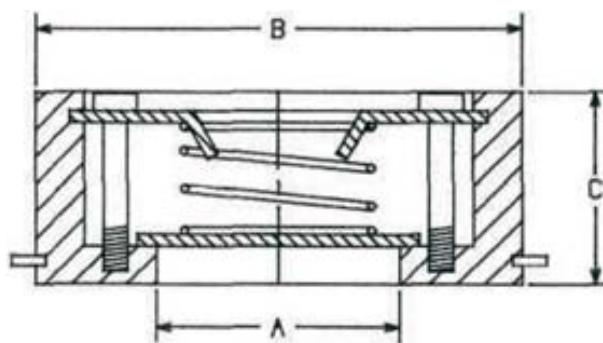
Construction : Inox

A pincer entre brides.

**ARD Series :**

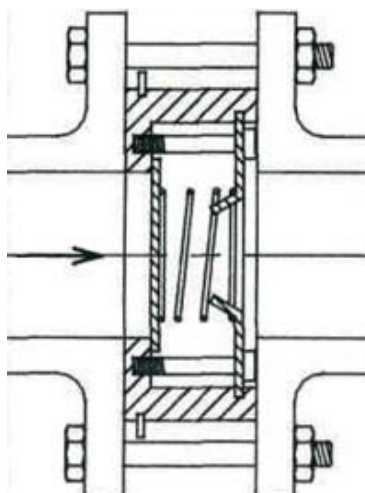
Construction : Stainless steel

Installation between flanges.



REFERENCE NUMBER		mm		
		A	B	C
1/2"	ARD15	15	43	16
3/4"	ARD20	20	53	19
1"	ARD25	25	63	22
1"1/4	ARD32	32	76	28
1"1/2	ARD40	40	86	31
2"	ARD50	50	96	40
2"1/2	ARD65	65	116	46
3"	ARD80	80	132	50
4"	ARD100	100	152	60

Mode d'installation



Typical installation