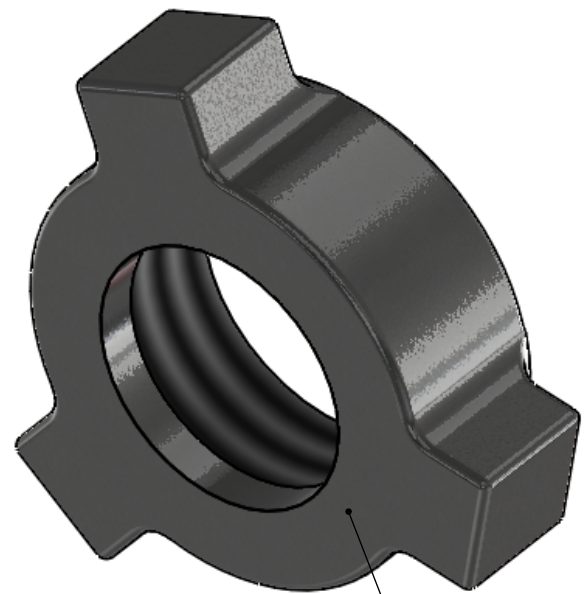


Universal tightening key
(CLEWECO)

3" WECO nut



2" WECO nut

Allows tightening of WECO 2" & 3" wing nuts

REVISIONS			
REV.	DESCRIPTION	DATE	APPROUVE
A	1ère édition	25/06/2014	JDP
Poids / Weight ±:		Revision	
Dess: JDP Date :25/06/2014 Echelle / Scale: 1:2		Traitement / Finishing:	
Tol. générale / General tol.: +/- 0.1		Tightening key for WECO 2" ET 3'	
<small>THE INFORMATION CONTAINED IN THIS DRAWING IS THE SOLE PROPERTY OF EQUIP-FLUIDES. ANY REPRODUCTION IN PART OR AS A WHOLE WITHOUT THE WRITTEN PERMISSION OF EQUIP-FLUIDES IS PROHIBITED.</small>			
EQUIP' FLUIDES 2 Rue Lavoisier, 77465 Lagny s/ Marne (FRANCE) ☎: (+33) 01.64.12.46.03 📠: (+33) 01.64.12.46.17		REF PLAN: ---	REF PIECE: CLEWECO

Unités: mm

A