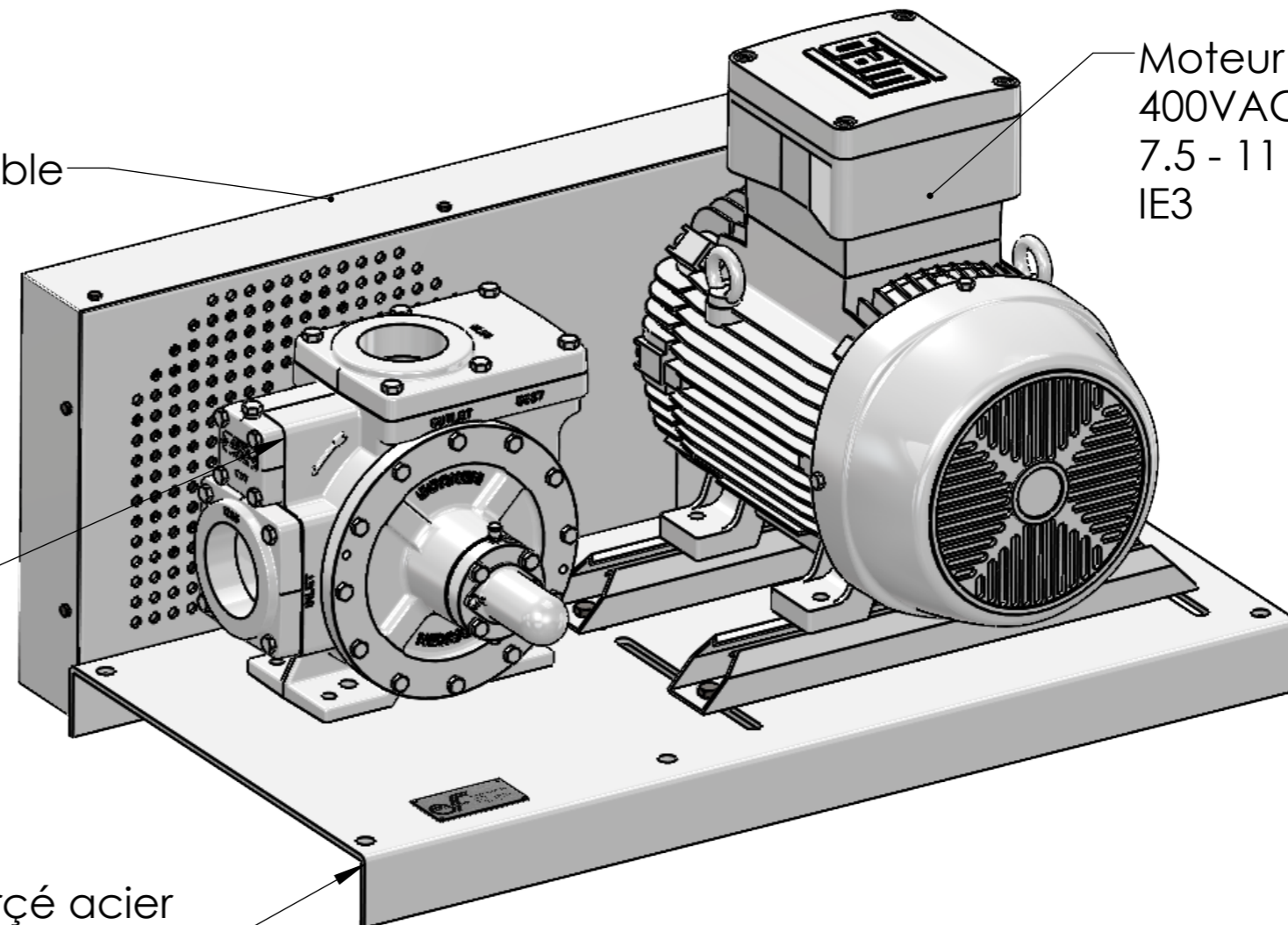


Carter courroies amovible

Pompe 3":  
- Corken Z3500  
- Blackmer LGL3

Moteur ATEX  
400VAC 50Hz  
7.5 - 11 Kw  
IE3

Chassis renforcé acier  
Epoxy blanc



Poids / Weight ±:		Traitement / Finishing:		Revision
Dess: JDP	Date :29/06/2015	Echelle / Scale: 1:15		<b>GRUPE MOTO-POMPE TYPE GMP3</b>
A3 Tol. générale / General tol.: +/- 0.1				
<small>THE INFORMATION CONTAINED IN THIS DRAWING IS THE SOLE PROPERTY OF EQUIP-FLUIDES. ANY REPRODUCTION IN PART OR AS A WHOLE WITHOUT THE WRITTEN PERMISSION OF EQUIP-FLUIDES IS PROHIBITED.</small>				
Unités: mm			<b>REF PLAN: GMP3</b>	
<small>EQUIP' FLUIDES 2 Rue Lavoisier, 77465 Lagny s/ Marne (FRANCE) ÉQUIP'FLUIDES ☎: (+33) 01.64.12.46.03 📠: (+33) 01.64.12.46.17</small>				