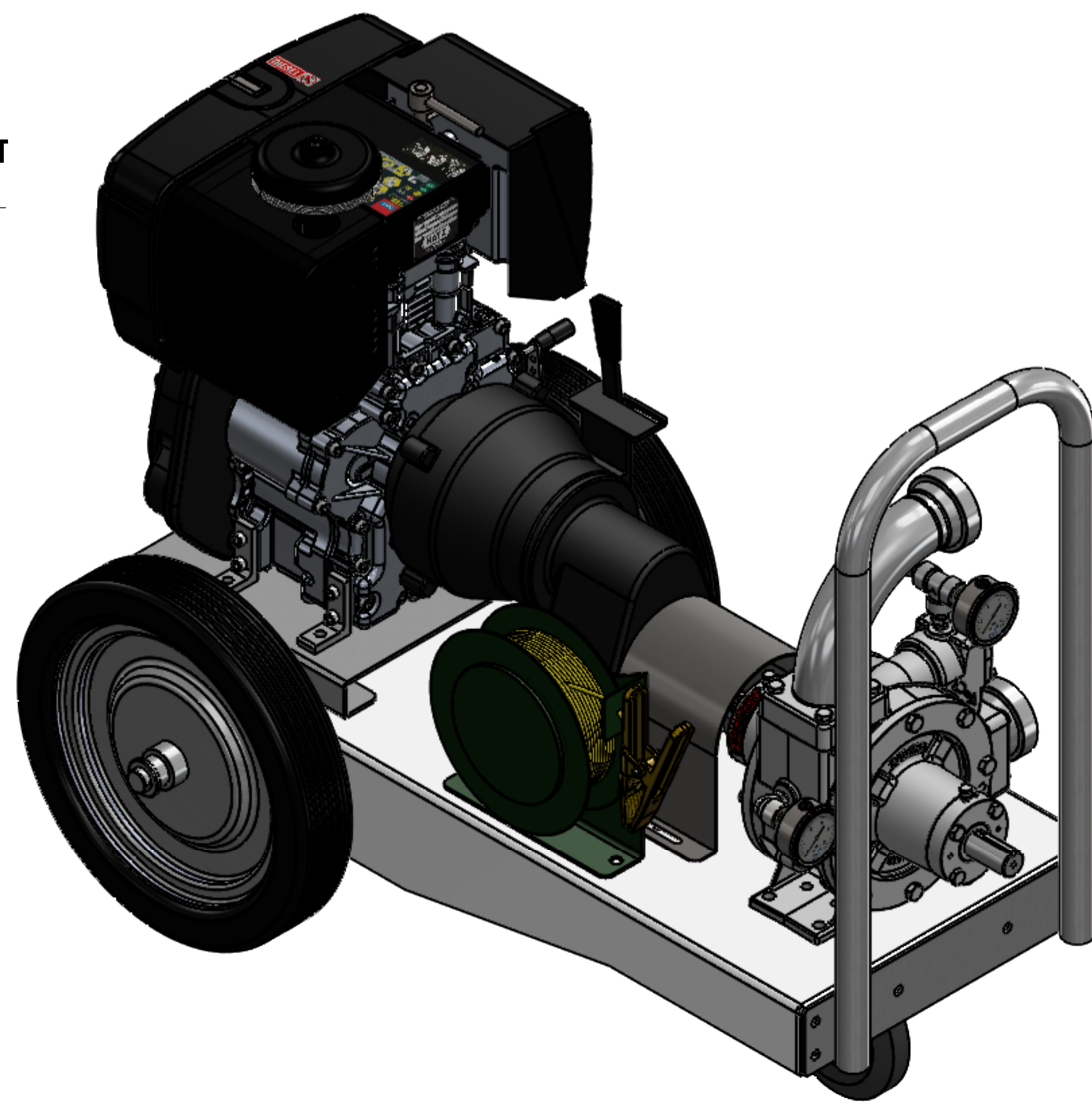
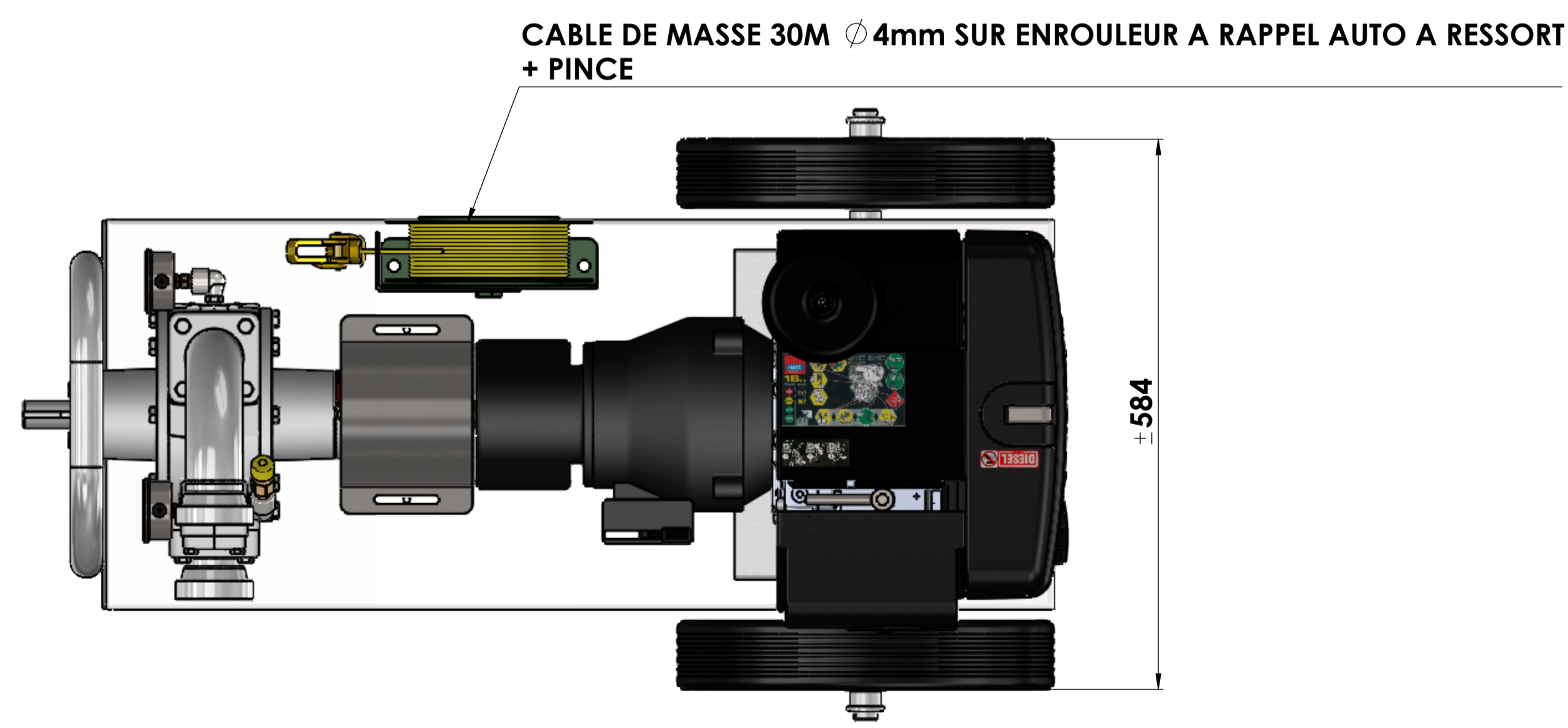


ROULETTE AUTO ORIENTABLE ASPIRATION (M 3 1/4 ACME) ACOUPLLEMENT DIRECT MOTEUR - POMPE REDUCTEUR 1/3

POMPE CORKEN Z2000 (2")



REVISIONS			
REV.	DESCRIPTION	DATE	APPROUVE
A	Première édition pour proposition commerciale	16/02/2018	JDP
Matière / Material : Acier		Traitement/ finishing : Zinguage blanc	
Dess: JDP/Date : 16/02/2018/Echelle/Scale: 1:5		Revision	
± 0,1 Tol. générale / General tol.: +/- 0,1		GRUPE MOTO-POMPE DIESEL 2" CORKEN	
<small>THE INFORMATION CONTAINED IN THIS DRAWING IS THE SOLE PROPERTY OF EQUIP-FLUIDES. ANY REPRODUCTION IN PART OR AS A WHOLE WITHOUT THE WRITTEN PERMISSION OF EQUIP-FLUIDES IS PROHIBITED.</small>			
<small>EQUIP FLUIDES 2 Rue Lavoisier, 77465 Logny s/ Marne (FRANCE) ☎ (+33) 01.64.12.46.03 ☎ (+33) 01.64.12.46.17</small>		REF PLAN: GMP18-Z2000	REF PIECE: GMP18-Z2000

(A)