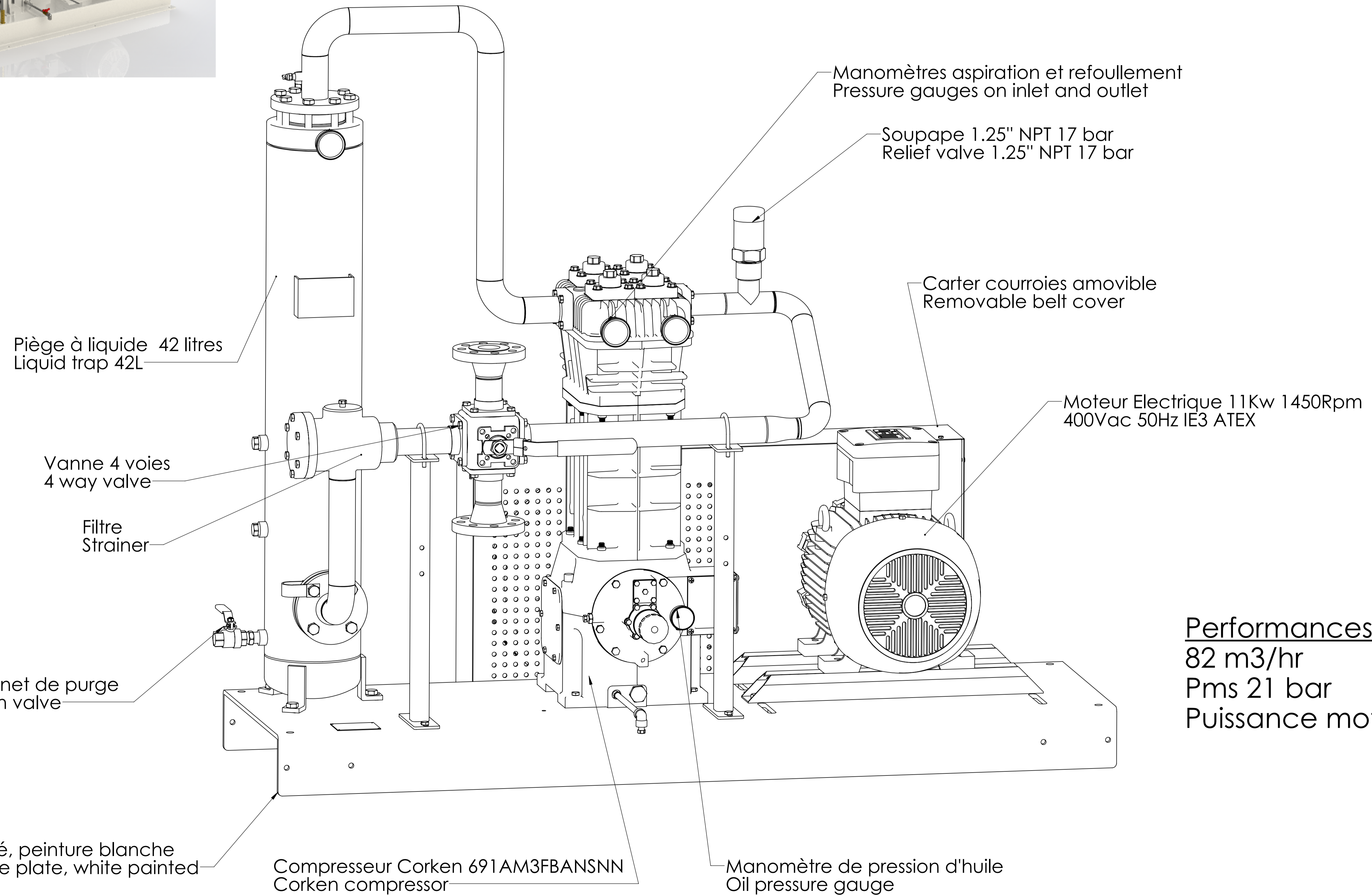
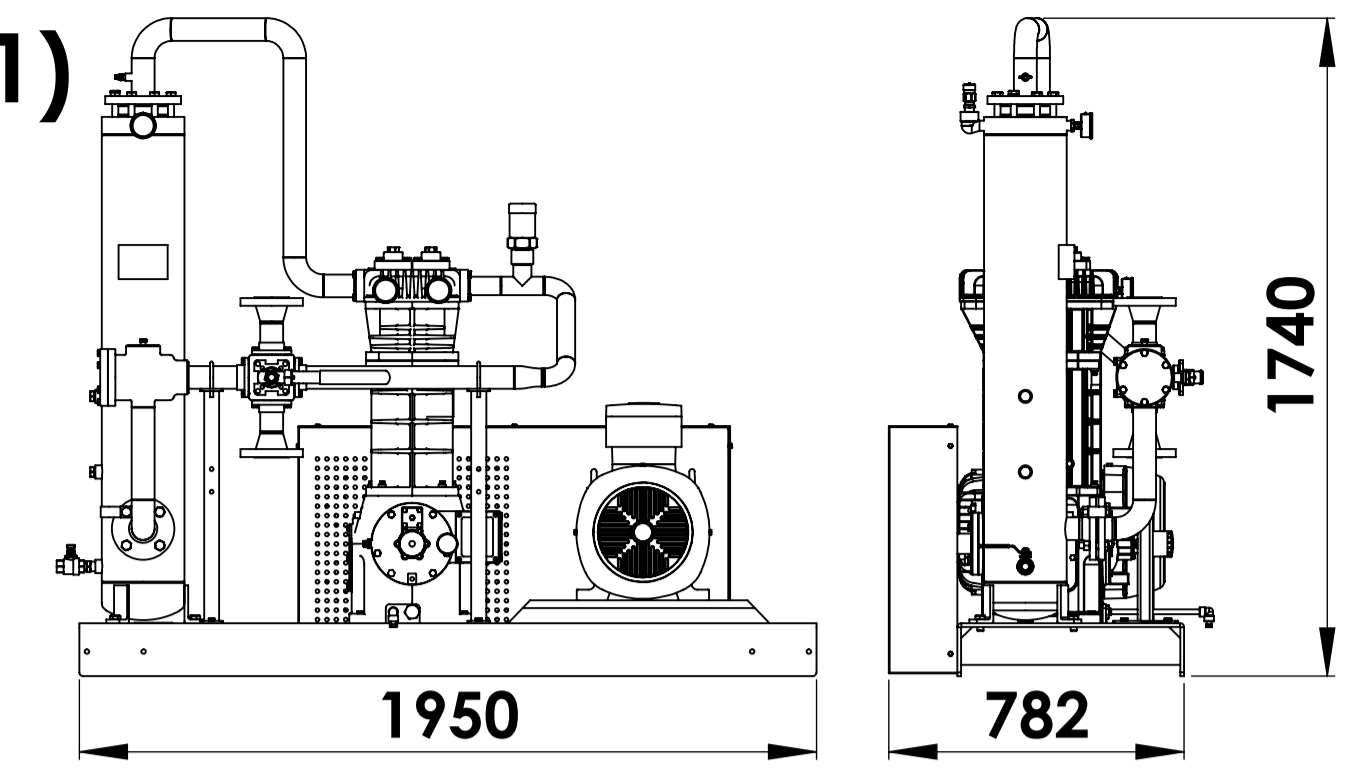
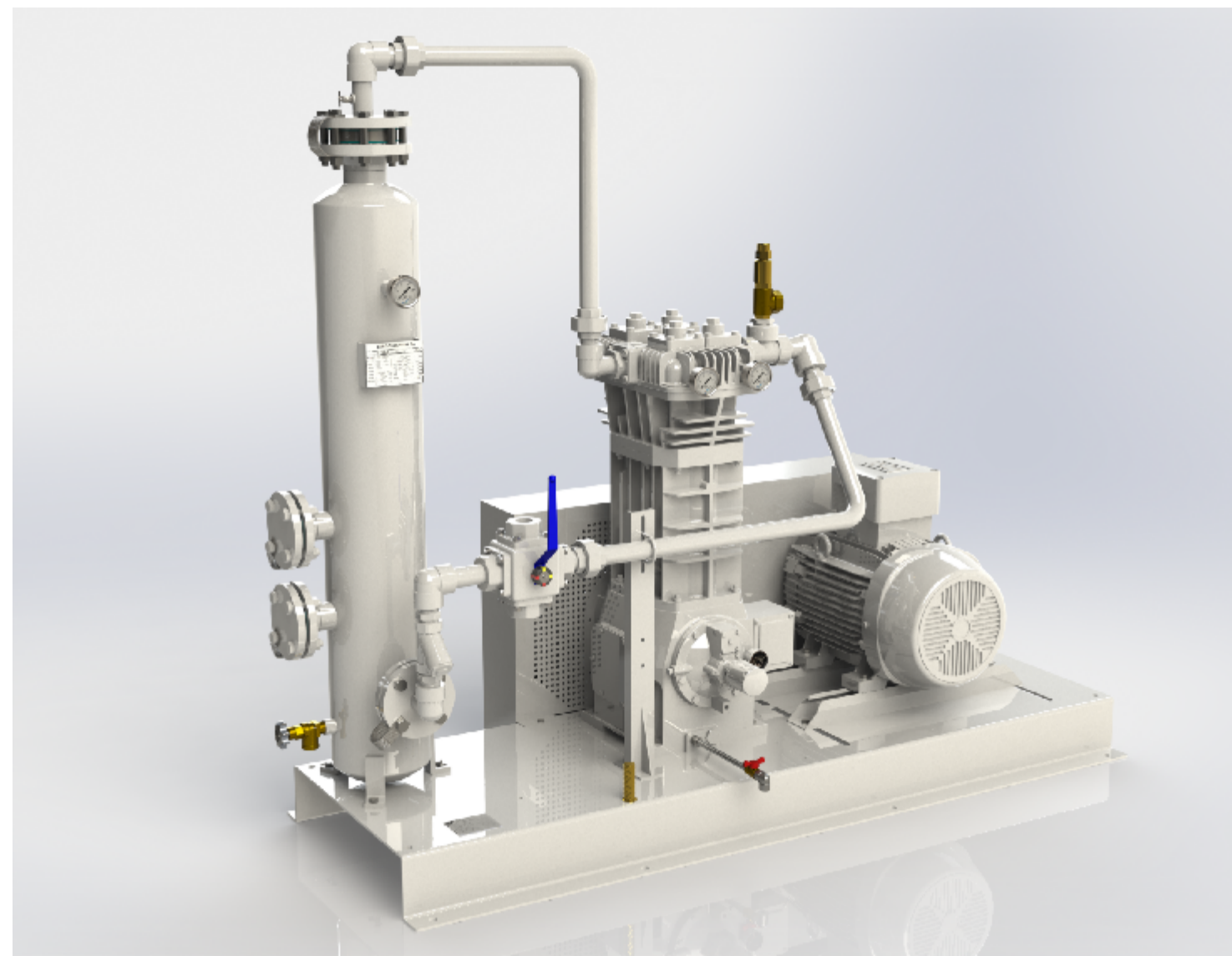


GRUPE MOTO-COMPRESSEUR ELECTRIQUE CORKEN 691 (GMC10E691)

Electrical Compression unit Corken 691



Performances:
 82 m³/hr
 Pms 21 bar
 Puissance moteur 18.5Kw

REV.	DESCRIPTION	DATE	APPROUVE
1	Traitement/ finishing :		Revision
Poids / Weight : + 1141429.37 grammes			
Dess: JDP/Date : 07/01/2022/Echelle/Scale: 1:10			
Tol. générale / General tol.: +/- 0,1			
THE INFORMATION CONTAINED IN THIS DRAWING IS THE SOLE PROPERTY OF EQUIP-FLUIDES. ANY REPRODUCTION IN PART OR AS A WHOLE WITHOUT THE WRITTEN PERMISSION OF EQUIP-FLUIDES IS PROHIBITED.			
EQUIP FLUIDES 2 Rue Lavoisier, 77465 Logny s/ Marne (FRANCE) Equip-Fluides : (+33) 01.64.12.46.03 - : (+33) 01.64.12.46.17		GRUPE MOTOCOMPRESSEUR CORKEN 691 18.5Kw	
REF PLAN: GMC10E691		REF PIECE: GMC10E691	